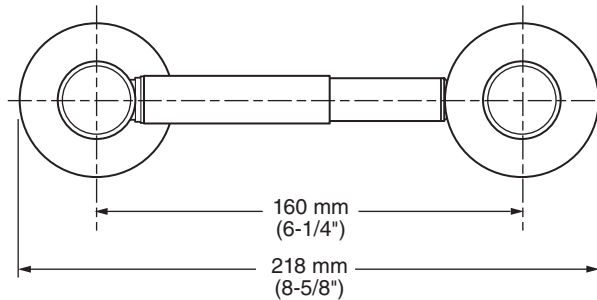
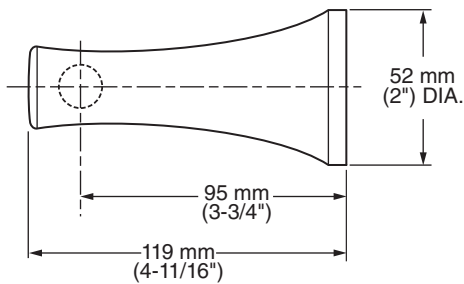


**MODEL NUMBER:**

□ **8337.230 - Toilet Tissue Holder**

**Available Finishes**

002	Polished Chrome
224	Oil Rubber Bronze
295	Satin Nickel (PVD)
278	Legacy Bronze
013	Polished Nickel



**PRODUCT FEATURES:**

**Materials of Construction:** Metal construction for durability & long life.

**Concealed Mounting:** No exposed set screws.

**Easy to Install**

**Durability of Finishes:** Polished Chrome, Oiled Rubbed Bronze and Satin Nickel (PVD) finishes will never tarnish.

**SUGGESTED SPECIFICATION**

Toilet Tissue Holder shall feature metal construction with tarnish - free PVD finish. Shall feature concealed mounting with no exposed set screws. Toilet Tissue Holder tube shall be Brass tube. Toilet Tissue Holder shall be American Standard Model # 8337.230.\_\_\_\_\_